



Pan Cake - Load Cell

2t / 3t / 5t

10t / 20t / 50t

- High output
- Hermetically sealed
- High reliability against side force
- Low profile
- Only compression application

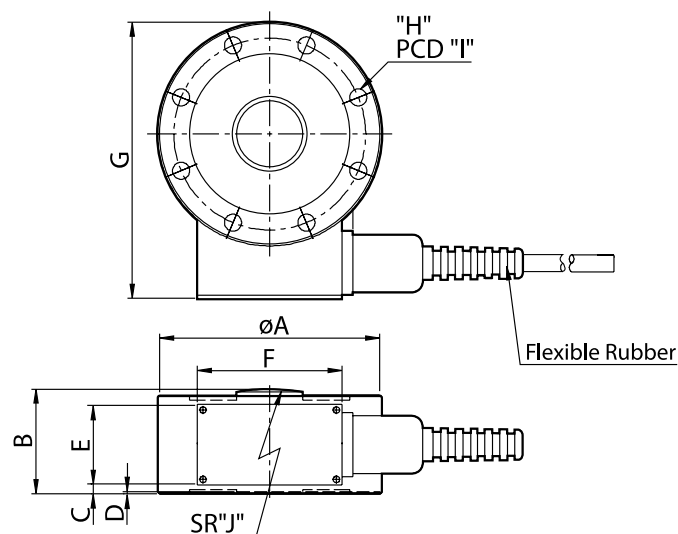


Technical Specifications

Max Capacity (rated load)	tf	2t, 3t, 5t, 10t, 20t, 50t
Rated Output	mV / V	3.0 ± 0.0075
Zero Balance	mV / V	0.0 ± 0.03
Accuracy Class	-	-
Combined Error	% R.O.	0.05
Repeatability	% R.O.	0.02
Creep for 30min.	% R.O.	0.03
Resolution	-	≤1/2000
Division	mV/V	0.0015
Temperature Effect on - Zero Value	%/10 °C	0.03
Temperature Effect on - Output Value	%/10 °C	0.03
Excitation - Recommended	V	10
Excitation - Maximum	V	15
Resistance - Input	Ω	350 ± 3.5
Resistance - Output	Ω	350 ± 3.5
Resistance - Insulation	MΩ	> 2000
Compensated Temperature Range	°C	-10 to +40
Operating Temperature Range	°C	-20 to +80
Safety Overload	% R.L	150%
Cable Specification	-	ø8 x 4p x 5M(10M)

Dimension

Unit in mm



Capacity	A	B	C	D	E	F	G	H	I	J	Cable (m)
2t	105.0	35.0	3.0	1.0	30.0	65.0	131.0	8-ø7.0	90.0	100.0	5
5t	120.0	45.0	2.0	1.0	38.0	68.0	150.4	4-ø9.0	104.5	100.0	
10t	120.0	45.0	2.0	1.0	38.0	68.0	150.4	4-ø9.0	104.5	100.0	10
20t	120.0	45.0	2.0	1.0	38.0	68.0	150.4	4-ø9.0	104.5	100.0	
50t	190.5	57.2	6.4	1.0	38.0	68.0	225.2	12-ø13.5	159.0	200.0	



UNIT 8, NORTHLINK, 459 TUFNELL ROAD
BANYO QLD 4014, AUSTRALIA

TEL: +61 (0)7 3267 7767 FAX: +61 (0)7 32 67 1818

EMAIL: sales@cassscale.com.au

<http://www.cassscale.com.au>

Specifications are subject to change for improvement without prior notice.

