

SB SERIES



S Beam - Load Cell

20kg / 50kg / 75kg

100kg / 200kg / 500kg

1t / 2t



- ➔ Mechanical protection with steel cover
- ➔ Anodized aluminum (20kg~200kg)
- ➔ Nickel plated steel (500kg~2t)
- ➔ Tension type load cell

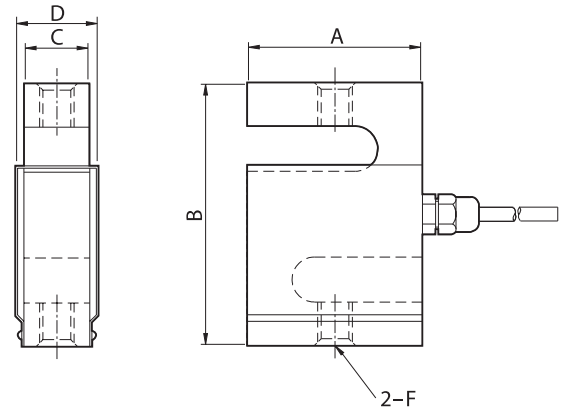


Technical Specifications

Max Capacity (rated load)	kgf	20kg, 50kg, 75kg, 100kg, 200kg, 500kg, 1t, 2t
Rated Output	mV / V	2.0 ± 0.005
Zero Balance	mV / V	0.0 ± 0.02
Accuracy Class	-	-
Combined Error	% R.O.	0.03
Repeatability	% R.O.	0.01
Creep for 30min.	% R.O.	0.03
Resolution	-	≤1/3000
Division	mV/V	0.00067
Temperature Effect on - Zero Value	%/10 °C	0.028
Temperature Effect on - Output Value	%/10 °C	0.015
Excitation - Recommended	V	10
Excitation - Maximum	V	15
Resistance - Input	Ω	430 ± 40
Resistance - Output	Ω	350 ± 3.5
Resistance - Insulation	MΩ	> 2000
Compensated Temperature Range	°C	-10 to +40
Operating Temperature Range	°C	-30 to +80
Safety Overload	% R.L	150%
Cable Specification	-	ø5.4 x 4p x 3M (Urethane-Jacket)

Dimension

Unit in mm



Capacity	A	B	C	D	F
20kg					
50kg					
75kg	70	80	24	32	M12 X 1.75
100kg					
200kg					
500kg					
1t	80	100	30	38	M18 X 1.5
2t					

Options

- Rod End (2~500kg: M12 x 1.75)
- Rod End (1t~2t: M18 x 1.5)

CAS

UNIT 8, NORTHLINK, 459 TUFNELL ROAD
BANYO QLD 4014, AUSTRALIA

TEL: +61 (0)7 3267 7767 FAX: +61 (0)7 32 67 1818

EMAIL: sales@cassscale.com.au

<http://www.cassscale.com.au>

Specifications are subject to change for improvement without prior notice.

