



SHEAR BEAM: capacity from 500 kg to 10000 kg

BENDING BEAM: capacity from 75 kg to 300 kg



- AISI 420 STAINLESS STEEL
- COMBINED ERROR $\leq \pm 0.02\%$
- PROTECTION CLASS IP67, IP68

MOUNTING KITS



CAPACITY	kg	ACCURACY CLASS C3	IECEx	Ex	EAC	EAC Ex	NET WEIGHT OF LOAD CELL (kg)	CODE
75		•	•	•	•	•	0.9	FTP75
150		•	•	•	•	•	0.9	FTP150
300		•	•	•	•	•	0.9	FTP300
500		•	•	•	•	•	0.9	FTP500
750		•	•	•	•	•	0.9	FTP750
1000		•	•	•	•	•	0.9	FTP1000
1500		•	•	•	•	•	0.9	FTP1500
2000		•	•	•	•	•	0.9	FTP2000
3000		–	•	•	•	•	1.6	FTP3000
5000		–	•	•	•	•	1.6	FTP5000
10000		–	•	•	•	•	3.8	FTP10000

ON REQUEST

CERTIFICATIONS



OIML R60 C3

CERTIFICATIONS ON REQUEST



ATEX II 1GD (zone 0-1-2-20-21-22)



IECEx (zone 0-1-2-20-21-22)

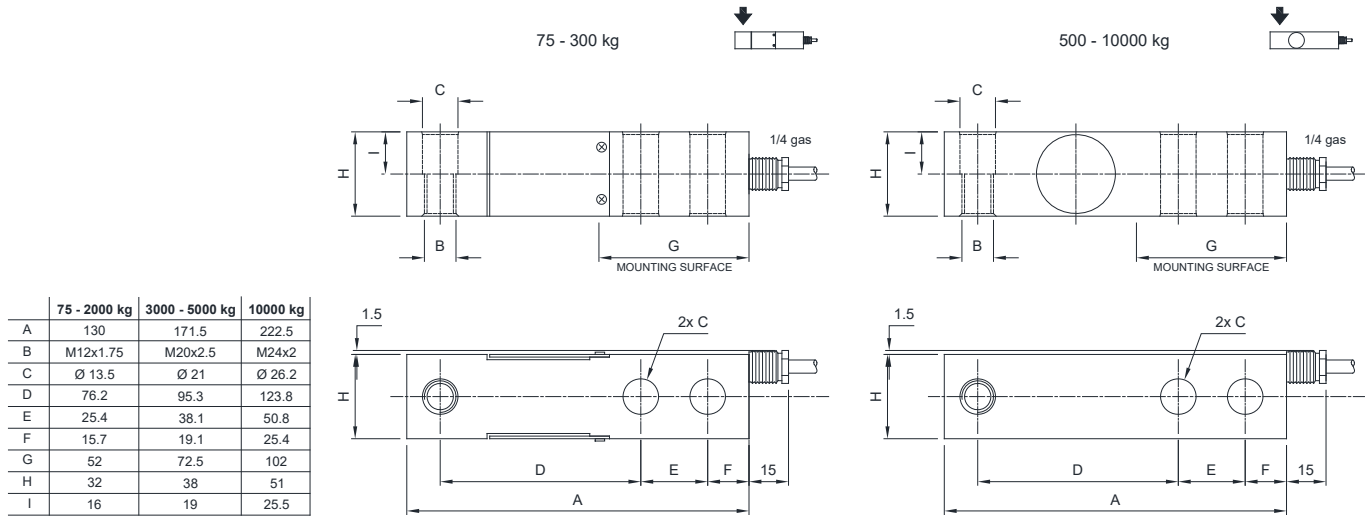


Complies with the Eurasian Custom Union standards



Complies with the Eurasian Custom Union standards for use in potentially explosive atmospheres

DIMENSIONS (mm)



TECHNICAL FEATURES

Material	AISI 420 stainless steel		
OIML R60 Accuracy class • Verification intervals	C3 • 3000	-	
Nominal load (E max)	75 -150 - 300 - 500 kg 1000 - 1500 - 2000 kg	3000 - 5000 - 10000 kg	
Minimum verification interval (V min)	E max / 15000	-	
Combined error	≤ ±0.02%		
Protection class	IP67 (75 - 300 kg), IP68 (500 - 10000 kg)		
Input resistance	385 Ω ± 10	400 Ω ± 15	
Output resistance	350 Ω ± 3	350 Ω ± 5	
Rated output	2 mV/V ± 0.1%	Max supply voltage without damage	15 V
Temperature effect on zero	0.002% °C	Zero balance	±2%
Temperature effect on span	0.0012% °C	Insulation resistance	≥ 5000 MΩ
Compensated temperature range	-10 °C / +40 °C	Safe overload (% of full scale)	150%
Operating temperature range	-20 °C / +70 °C	Ultimate overload (% of full scale)	200%
Creep at nominal load in 30 minutes	0.03%	Deflection at nominal load	0.4 mm

ELECTRICAL CONNECTIONS

Cable length	5 m (75-5000 kg); 10 m (10000 kg)
Cable diameter	5 mm
Cores	4/6 x 0.25 mm ²

