



SWIA - T

Heavy Duty Digital Crane Scale

SWIA T is an established, economical choice for many medium to heavy capacity crane scale needs, and offers an enclosure made of the top quality alloy and large & bright red LED display.

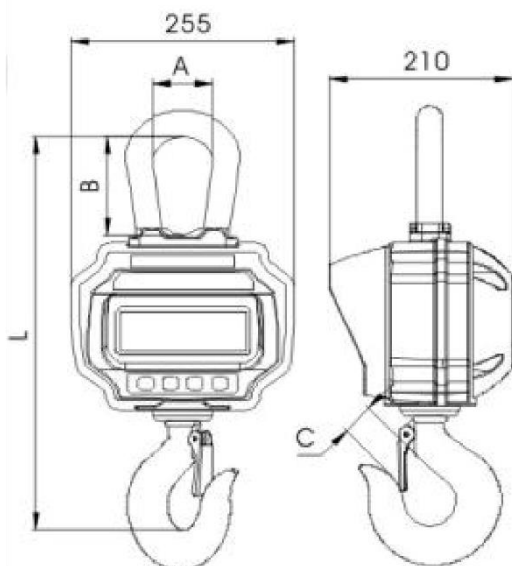
FEATURES

- Aluminum die-casting case
- High strength paint
- Alloy steel load cell
- 35mm LED display
- Alloy steel shackle and swivel hook
- Rechargeable battery
- Infrared remote control



- Zero
- Tare
- Hold
- Battery supervision
- Overload alarm/record
- Digital calibration
- 3-point calibration
- Unit switch
- Resolution switch
- Gravity acceleration set

Max.Cap.(kg)	A(mm)	B(mm)	C(mm)	L(mm)	N.W(kg)
1t	68	112	33	420	11kg
2t	68	112	33	420	11kg
3t	68	112	33	420	11kg
5t	68	112	36	450	12.5kg



Accuracy class	OIML III
Tare range	100%F.S.
Zero range	4%F.S.
Safe overload	120%F.S.
Ultimate overload	400%F.S.
Overload alarm	100%F.S.+9e
Battery	6V/4Ah
Adaptor	DC9V/1.5A
Battery life	>60h
Temperature range	-10°C~40°C