



More information on the website
radwag.com/en/info,w1,WFM

WLC 12/F1/K Precision Balance, WLC 10/A2.IO Precision Balance, WLC 6/F1/R Precision Balance, WLC 1/A2 Precision Balance, WLC 6/A2.IO Precision Balance, WLC 30/F1/R Precision Balance, WLC 60/C2/R Precision Balance, WLC 6/A2 Precision Balance, WLC 60/C2/K Precision Balance, WLC 120/C2/K Precision Balance, WLC 12/F1/R Precision Balance, WLC 120/C2/R Precision Balance, WLC 2/A2.IO Precision Balance, WLC 20/A2.IO Precision Balance, WLC 6/F1/K Precision Balance, WLC 10/A2 Precision Balance, WLC 2/A2 Precision Balance, WLC 1/A2.IO Precision Balance, WLC 20/A2 Precision Balance, WLC 30/F1/K Precision Balance



WLC 12/F1/K Precision Balance
WLC 6/F1/K Precision Balance
WLC 30/F1/K Precision Balance



WLC 10/A2.IO Precision Balance
WLC 6/A2.IO Precision Balance
WLC 6/A2 Precision Balance
WLC 20/A2.IO Precision Balance
WLC 10/A2 Precision Balance
WLC 20/A2 Precision Balance



WLC 6/F1/R Precision Balance
WLC 30/F1/R Precision Balance
WLC 12/F1/R Precision Balance



WLC 1/A2 Precision Balance
WLC 2/A2.IO Precision Balance
WLC 2/A2 Precision Balance
WLC 1/A2.IO Precision Balance



WLC 60/C2/R Precision Balance
WLC 120/C2/R Precision Balance



WLC 60/C2/K Precision Balance
WLC 120/C2/K Precision Balance

The drawings, photos and graphics used are for illustrative purposes only.

Functions



Plus/Minus Control



Percent Weighing



Totalizing



Parts counting



Internal battery



Peak hold



Newton unit measurement

Datasheet

	WLC 1/A2.IO Precision Balance	WLC 1/A2 Precision Balance	WLC 2/A2.IO Precision Balance
Metrological parameters			
Maximum capacity [Max]	1 kg	1 kg	2 kg
Minimum load	-	-	-
Readability [d]	0,01 g	0,01 g	0,01 g
Verification unit [e]	-	-	-
Tare range	-1 kg	-1 kg	-2 kg
Repeatability	0,01 g	0,01 g	0,01 g
Linearity	±0,03 g	±0,03 g	±0,03 g
Stabilization time	3 s	3 s	3 s
Adjustment	external	external	external
OIML Class	-	-	-
Physical parameters			
Leveling system	manual	manual	manual
Display	LCD (backlit)	LCD (backlit)	LCD (backlit)
Protection class	IP 43	IP 43	IP 43
Weighing pan dimensions	195×195 mm	195×195 mm	195×195 mm
Packaging dimensions	430×270×190 mm	430×270×190 mm	430×270×190 mm
Net weight	2,8 kg	2,8 kg	2,8 kg
Gross weight	4 kg	4 kg	4 kg
Communication interface			
Communication interface	2×RS232, USB-A, USB-B, 4 IN / 4 OUT	2×RS232, USB-A, USB-B	2×RS232, USB-A, USB-B, 4 IN / 4 OUT
Electrical parameters			
Power supply	Adapter: 100 – 240V AC 50/60Hz 0,6A; 12V DC 1,2A Balance: 10 – 15VDC 0,6A max	Adapter: 100 – 240V AC 50/60Hz 0,6A; 12V DC 1,2A Balance: 10 – 15VDC 0,6A max	Adapter: 100 – 240V AC 50/60Hz 0,6A; 12V DC 1,2A Balance: 10 – 15VDC 0,6A max
Operation time on batteries	15 h (average time)	15 h (average time)	15 h (average time)
Environmental conditions			
Operating temperature	+15 ÷ +30 °C	+15 ÷ +30 °C	+15 ÷ +30 °C
Relative humidity	10% ÷ 85% RH no condensation	10% ÷ 85% RH no condensation	10% ÷ 85% RH no condensation

Repeatability is expressed as a standard deviation from 10 weighing cycles. Stabilization time depends on the ambient conditions and the dynamics of weighing pan loading; specified for FAST profile.

Datasheet

	WLC 2/A2 Precision Balance	WLC 6/A2.IO Precision Balance	WLC 6/A2 Precision Balance
Metrological parameters			
Maximum capacity [Max]	2 kg	6 kg	6 kg
Minimum load	–	5 g	5 g
Readability [d]	0,01 g	0,1 g	0,1 g
Verification unit [e]	-	1 g	1 g
Tare range	-2 kg	-6 kg	-6 kg
Repeatability	0,01 g	0,1 g	0,1 g
Linearity	±0,03 g	±0,2 g	±0,2 g
Stabilization time	3 s	3 s	3 s
Adjustment	external	-	
OIML Class	–	II	II
Physical parameters			
Leveling system	manual	manual	manual
Display	LCD (backlit)	LCD (backlit)	LCD (backlit)
Protection class	IP 43	IP 43	IP 43
Weighing pan dimensions	195×195 mm	195×195 mm	195×195 mm
Packaging dimensions	430×270×190 mm	430×270×190 mm	430×270×190 mm
Net weight	2,8 kg	2,8 kg	3 kg
Gross weight	4 kg	4 kg	4 kg
Communication interface			
Communication interface	2×RS232, USB-A, USB-B	2×RS232, USB-A, USB-B, 4 IN / 4 OUT	2×RS232, USB-A, USB-B
Electrical parameters			
Power supply	Adapter: 100 – 240V AC 50/60Hz 0,6A; 12V DC 1,2A Balance: 10 – 15VDC 0,6A max	Adapter: 100 – 240V AC 50/60Hz 0,6A; 12V DC 1,2A Balance: 10 – 15VDC 0,6A max	Adapter: 100 – 240V AC 50/60Hz 0,6A; 12V DC 1,2A Balance: 10 – 15VDC 0,6A max
Operation time on batteries	15 h (average time)	15 h (average time)	15 h (average time)
Environmental conditions			
Operating temperature	+15 ÷ +30 °C	+15 ÷ +30 °C	+15 ÷ +30 °C
Relative humidity	10% ÷ 85% RH no condensation	10% ÷ 85% RH no condensation	10% ÷ 85% RH no condensation

Repeatability is expressed as a standard deviation from 10 weighing cycles. Stabilization time depends on the ambient conditions and the dynamics of weighing pan loading; specified for FAST profile.

Datasheet

	WLC 6/F1/K Precision Balance	WLC 6/F1/R Precision Balance	WLC 10/A2.IO Precision Balance
Metrological parameters			
Maximum capacity [Max]	6 kg	6 kg	10 kg
Minimum load	5 g	5 g	-
Readability [d]	0,1 g	0,1 g	0,1 g
Verification unit [e]	1 g	1 g	-
Tare range	-6 kg	-6 kg	-10 kg
Repeatability	0,1 g	0,1 g	0,1 g
Linearity	±0,2 g	±0,2 g	±0,3 g
Stabilization time	3 s	3 s	3 s
Adjustment			external
OIML Class	II	II	-
Physical parameters			
Leveling system	manual	manual	manual
Display	LCD (backlit)	LCD (backlit)	LCD (backlit)
Protection class	IP 43	IP 43	IP 43
Weighing pan dimensions	300×300 mm	300×300 mm	195×195 mm
Packaging dimensions	570×390×170 mm	570×390×170 mm	430×270×190 mm
Net weight	5,2 kg	5,2 kg	2,8 kg
Gross weight	6 kg	6 kg	4 kg
Communication interface			
Communication interface	RS232	RS232	2×RS232, USB-A, USB-B, 4 IN / 4 OUT
Electrical parameters			
Power supply	Adapter: 100 – 240V AC 50/60Hz 0,6A; 12V DC 1,2A Balance: 10 – 15VDC 0,6A max	Adapter: 100 – 240V AC 50/60Hz 0,6A; 12V DC 1,2A Balance: 10 – 15VDC 0,6A max	Adapter: 100 – 240V AC 50/60Hz 0,6A; 12V DC 1,2A Balance: 10 – 15VDC 0,6A max
Operation time on batteries	10 h (average time)	10 h (average time)	15 h (average time)
Environmental conditions			
Operating temperature	+15 ÷ +30 °C	+15 ÷ +30 °C	+15 ÷ +30 °C
Relative humidity	10% ÷ 85% RH no condensation	10% ÷ 85% RH no condensation	10% ÷ 85% RH no condensation

Repeatability is expressed as a standard deviation from 10 weighing cycles. Stabilization time depends on the ambient conditions and the dynamics of weighing pan loading; specified for FAST profile.

Datasheet

	WLC 10/A2 Precision Balance	WLC 12/F1/R Precision Balance	WLC 12/F1/K Precision Balance
Metrological parameters			
Maximum capacity [Max]	10 kg	12 kg	12 kg
Minimum load	—	—	—
Readability [d]	0,1 g	0,2 g	0,2 g
Verification unit [e]	-	-	-
Tare range	-10 kg	-12 kg	-12 kg
Repeatability	0,1 g	0,2 g	0,2 g
Linearity	±0,3 g	±0,6 g	±0,6 g
Stabilization time	3 s	3 s	3 s
Adjustment	external	external	external
OIML Class	—	—	—
Physical parameters			
Leveling system	manual	manual	manual
Display	LCD (backlit)	LCD (backlit)	LCD (backlit)
Protection class	IP 43	IP 43	IP 43
Weighing pan dimensions	195×195 mm	300×300 mm	300×300 mm
Packaging dimensions	430×270×190 mm	570×390×170 mm	570×390×170 mm
Net weight	2,8 kg	5,2 kg	5 kg
Gross weight	4 kg	6 kg	6 kg
Communication interface			
Communication interface	2×RS232, USB-A, USB-B	RS232	RS232
Electrical parameters			
Power supply	Adapter: 100 – 240V AC 50/60Hz 0,6A; 12V DC 1,2A Balance: 10 – 15VDC 0,6A max	Adapter: 100 – 240V AC 50/60Hz 0,6A; 12V DC 1,2A Balance: 10 – 15VDC 0,6A max	Adapter: 100 – 240V AC 50/60Hz 0,6A; 12V DC 1,2A Balance: 10 – 15VDC 0,6A max
Operation time on batteries	15 h (average time)	10 h (average time)	10 h (average time)
Environmental conditions			
Operating temperature	+15 ÷ +30 °C	+15 ÷ +30 °C	+15 ÷ +30 °C
Relative humidity	10% ÷ 85% RH no condensation	10% ÷ 85% RH no condensation	10% ÷ 85% RH no condensation

Repeatability is expressed as a standard deviation from 10 weighing cycles. Stabilization time depends on the ambient conditions and the dynamics of weighing pan loading; specified for FAST profile.

Datasheet

	WLC 20/A2.IO Precision Balance	WLC 20/A2 Precision Balance	WLC 30/F1/R Precision Balance
Metrological parameters			
Maximum capacity [Max]	20 kg	20 kg	30 kg
Minimum load	-	-	-
Readability [d]	0,1 g	0,1 g	0,5 g
Verification unit [e]	-	-	-
Tare range	-20 kg	-20 kg	-30 kg
Repeatability	0,1 g	0,1 g	0,5 g
Linearity	±0,3 g	±0,3 g	±1,5 g
Stabilization time	3 s	3 s	3 s
Adjustment	external	external	external
OIML Class	-	-	-
Physical parameters			
Leveling system	manual	manual	manual
Display	LCD (backlit)	LCD (backlit)	LCD (backlit)
Protection class	IP 43	IP 43	IP 43
Weighing pan dimensions	195×195 mm	195×195 mm	300×300 mm
Packaging dimensions	430×270×190 mm	430×270×190 mm	570×390×170 mm
Net weight	2,8 kg	3 kg	5 kg
Gross weight	4 kg	3 kg	6 kg
Communication interface			
Communication interface	2×RS232, USB-A, USB-B, 4 IN / 4 OUT	2×RS232, USB-A, USB-B	RS232
Electrical parameters			
Power supply	Adapter: 100 – 240V AC 50/60Hz 0,6A; 12V DC 1,2A Balance: 10 – 15VDC 0,6A max	Adapter: 100 – 240V AC 50/60Hz 0,6A; 12V DC 1,2A Balance: 10 – 15VDC 0,6A max	Adapter: 100 – 240V AC 50/60Hz 0,6A; 12V DC 1,2A Balance: 10 – 15VDC 0,6A max
Operation time on batteries	15 h (average time)	15 h (average time)	10 h (average time)
Environmental conditions			
Operating temperature	+15 ÷ +30 °C	+15 ÷ +30 °C	+15 ÷ +30 °C
Relative humidity	10% ÷ 85% RH no condensation	10% ÷ 85% RH no condensation	10% ÷ 85% RH no condensation

Repeatability is expressed as a standard deviation from 10 weighing cycles. Stabilization time depends on the ambient conditions and the dynamics of weighing pan loading; specified for FAST profile.

Datasheet

	WLC 30/F1/K Precision Balance	WLC 60/C2/R Precision Balance	WLC 60/C2/K Precision Balance
Metrological parameters			
Maximum capacity [Max]	30 kg	60 kg	60 kg
Minimum load	—	50 g	50 g
Readability [d]	0,5 g	1 g	1 g
Verification unit [e]	-	—	10 g
Tare range	-30 kg	-60 kg	-60 kg
Repeatability	0,5 g	1 g	1 g
Linearity	±1,5 g	±3 g	±3 g
Stabilization time	3 s	3 s	3 s
Adjustment	external		
OIML Class	—	II	II
Physical parameters			
Leveling system	manual	manual	manual
Display	LCD (backlit)	LCD (backlit)	LCD (backlit)
Protection class	IP 43	IP 43	IP 43
Weighing pan dimensions	300×300 mm	400×500 mm	400×500 mm
Packaging dimensions	570×390×170 mm	720×620×210 mm	720×620×210 mm
Net weight	5,2 kg	12,5 kg	12,5 kg
Gross weight	6 kg	14 kg	14 kg
Communication interface			
Communication interface	RS232	RS232	RS232
Electrical parameters			
Power supply	Adapter: 100 – 240V AC 50/60Hz 0,6A; 12V DC 1,2A Balance: 10 – 15VDC 0,6A max	Adapter: 100 – 240V AC 50/60Hz 0,6A; 12V DC 1,2A Balance: 10 – 15VDC 0,6A max	Adapter: 100 – 240V AC 50/60Hz 0,6A; 12V DC 1,2A Balance: 10 – 15VDC 0,6A max
Operation time on batteries	10 h (average time)	10 h (average time)	10 h (average time)
Environmental conditions			
Operating temperature	+15 ÷ +30 °C	+15 ÷ +30 °C	+15 ÷ +30 °C
Relative humidity	10% ÷ 85% RH no condensation	10% ÷ 85% RH no condensation	10% ÷ 85% RH no condensation

Repeatability is expressed as a standard deviation from 10 weighing cycles. Stabilization time depends on the ambient conditions and the dynamics of weighing pan loading; specified for FAST profile.

Datasheet

	WLC 120/C2/K Precision Balance	WLC 120/C2/R Precision Balance
Metrological parameters		
Maximum capacity [Max]	120 kg	120 kg
Minimum load	—	—
Readability [d]	2 g	2 g
Verification unit [e]	-	-
Tare range	-120 kg	-120 kg
Repeatability	2 g	2 g
Linearity	±6 g	±6 g
Stabilization time	3 s	3 s
Adjustment	external	external
OIML Class	—	—
Physical parameters		
Leveling system	manual	manual
Display	LCD (backlit)	LCD (backlit)
Protection class	IP 43	IP 43
Weighing pan dimensions	400×500 mm	400×500 mm
Packaging dimensions	720×620×210 mm	720×620×210 mm
Net weight	12,5 kg	12,5 kg
Gross weight	15 kg	15 kg
Communication interface		
Communication interface	RS232	RS232
Electrical parameters		
Power supply	Adapter: 100 – 240V AC 50/60Hz 0,6A; 12V DC 1,2A Balance: 10 – 15VDC 0,6A max	Adapter: 100 – 240V AC 50/60Hz 0,6A; 12V DC 1,2A Balance: 10 – 15VDC 0,6A max
Operation time on batteries	10 h (average time)	10 h (average time)
Environmental conditions		
Operating temperature	+15 ÷ +30 °C	+15 ÷ +30 °C
Relative humidity	10% ÷ 85% RH no condensation	10% ÷ 85% RH no condensation

Repeatability is expressed as a standard deviation from 10 weighing cycles. Stabilization time depends on the ambient conditions and the dynamics of weighing pan loading; specified for FAST profile.



Accessories

Balance Storage Case
 Antivibration Tables
 Power Adapters
 RS 232 cables (scale - printer)
 Stands, wall mounting kits and mounting brackets
 Cigarette lighter receptacle power supply cables
 Displays
 Under-pan weighing

Density determination KIT
 RS 232 – Ethernet Converter
 Receipt Printer
 AP2-1 Current Loop Unit
 RS 232, RS 485 cables
 RS 232 – USB Converter
 Protective cover for balances
 RS 232 – RS 485 Converter

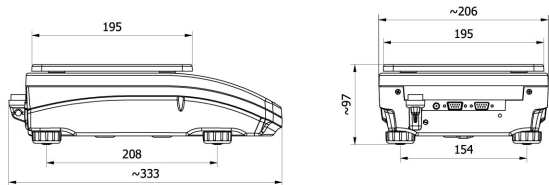
Software

RAD-KEY
 R-LAB

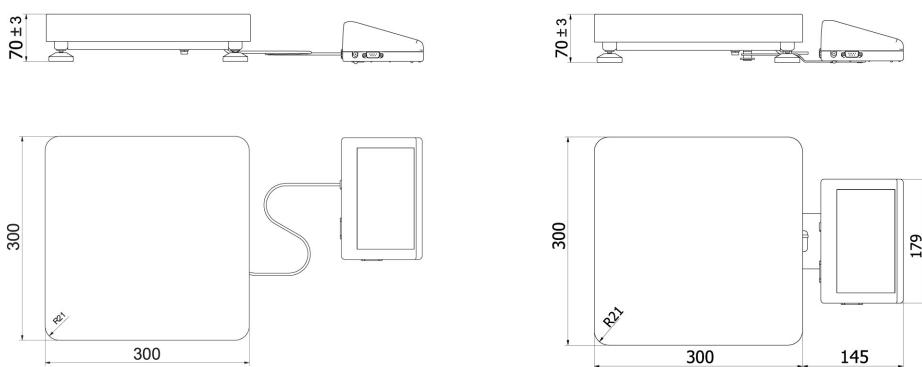
LabVIEW Driver
 Scales Editor 2.1

Device dimensions

WLC 12/F1/K Precision Balance, WLC 10/A2.IO Precision Balance, WLC 6/F1/R Precision Balance, WLC 1/A2 Precision Balance, WLC 6/A2.IO Precision Balance, WLC 30/F1/R Precision Balance, WLC 60/C2/R Precision Balance, WLC 6/A2 Precision Balance, WLC 60/C2/K Precision Balance, WLC 120/C2/K Precision Balance, WLC 12/F1/R Precision Balance, WLC 120/C2/R Precision Balance, WLC 2/A2.IO Precision Balance, WLC 20/A2.IO Precision Balance, WLC 6/F1/K Precision Balance, WLC 10/A2 Precision Balance, WLC 2/A2 Precision Balance, WLC 1/A2.IO Precision Balance, WLC 20/A2 Precision Balance, WLC 30/F1/K Precision Balance

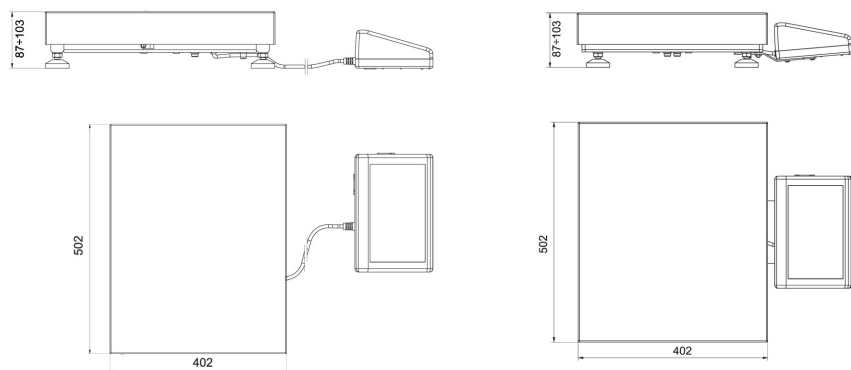


WLC A2



WLC F1/K

WLC F1/R



WLC C2/K

WLC C2/R